



MODEL 4700

STEP DOWN CEILING DIFFUSER
2 CONE - T-BAR - STEEL

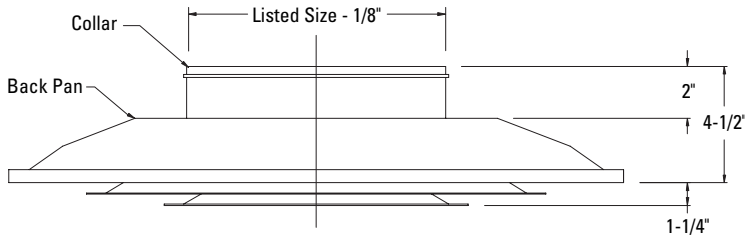
Project: _____
 Tag: _____
 Engineer: _____
 Contractor: _____
 Date: _____

MODELS

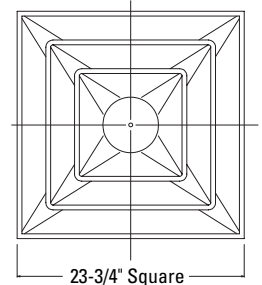
4700-6: Step Down Ceiling Diff. - 2 Cone - T-Bar - 24"x24" or 12"x12"

4700-6 BDS: Step Down Ceiling Diffuser - 2 Cone - T-Bar w/ Optional Damper

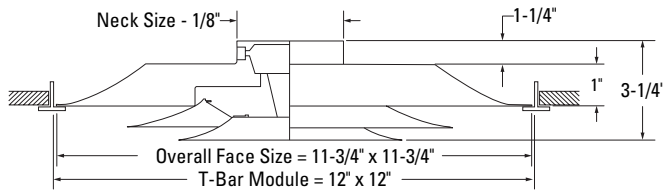
4700-6 - Step Down Ceiling Diffuser - 2 Cone - T-Bar - 24" x 24" Module



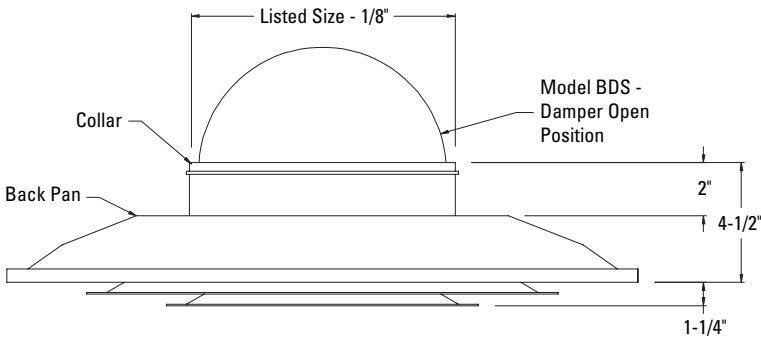
4700-6 24"x24" Face View



4700-6 - 12" x 12" Module - T-Bar Lay-in Mounting



Option: 4700-6 BDS - Step Down Ceiling Diffuser - 2 Cone T-Bar - w/ Optional Damper



All Dimensions are in Inches.

| 1. Available Finishes | 2. Available Accessories | 3. Available Options | 4. Construction Details |
|-------------------------------------|--------------------------|----------------------|--|
| Standard Finish: 01 White | BDS - Butterfly Damper | | <ul style="list-style-type: none"> • Steel Construction. • 24"x24" or 12"x12" T-Bar Lay-in. • 2 Cone Fixed Design. • High Capacity Performance. • 2" Standard Inlet Collar w/ Integral Bead for Flex Duct Retention (24"x24" only). |

As part of our continuous improvement program, we reserve the right to make further improvements without notice.

Submittal - 4700 - 0320