



MODEL 4800-6 FGBP

STEP DOWN CEILING DIFFUSER - W/ R6 MOLDED BACK - 3 CONE - T-BAR - STEEL

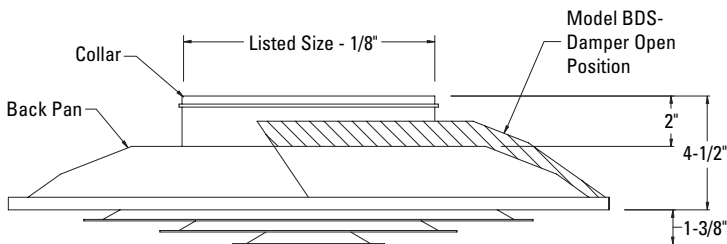
Project: _____
 Tag: _____
 Engineer: _____
 Contractor: _____
 Date: _____

MODELS

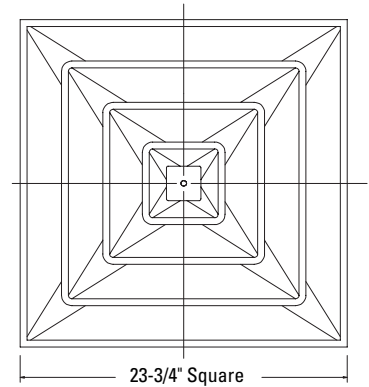
4800-6 FGBP: Step Down Ceiling Diff. - w/ R6 Molded Back 3 Cone - T-Bar

4800-6 BDS FGBP: Step Down Ceiling Diff. - w/ R6 Molded Back - 3 Cone - T-Bar - w/ Optional Damper

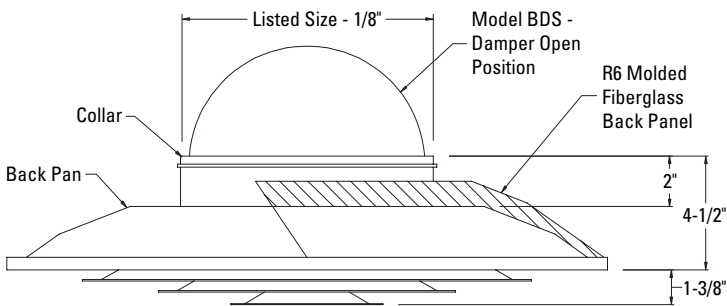
4800-6 FGBP: Step Down Ceiling Diffuser - w/ R6 Molded Back - 3 Cone - T-Bar - Steel



4800-6 FGBP Face View



Option: 4800-6 BDS FGBP: Step Down Ceiling Diffuser - w/ R6 Molded Back - 3 Cone - T-Bar - Steel - w/ BDS Damper



4800-6 FGBP & 4800-6 BDS FGBP					
Module 24" x 24"	Diameter				
	6"	8"	10"	12"	14"
	X	X	X	X	X

All Dimensions are in Inches.

1. Available Finishes	2. Available Accessories	3. Available Options	4. Construction Details
Standard Finish: 01 White	BDS - Butterfly Damper		<ul style="list-style-type: none"> • Steel Construction. • 24" x 24" T-Bar Lay-in. • 3 Cone Fixed Design. • High Capacity Performance. • 2" Standard Inlet Collar w/ Integral Bead for Flex Duct Retention. • Collars Available from 6" - 14". • 360° Air Pattern. • Removable Center Plug for Damper Access.

As part of our continuous improvement program, we reserve the right to make further improvements without notice.

Submittal - 4800-6 FGBP - 0320