

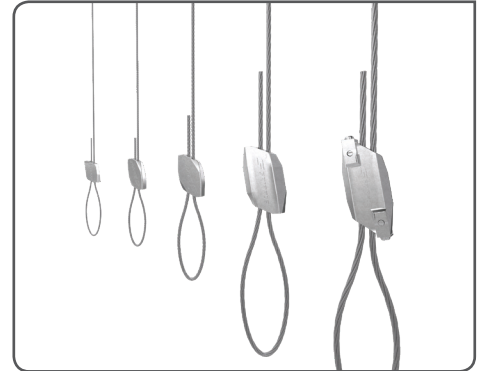
# Standard Hanger Range



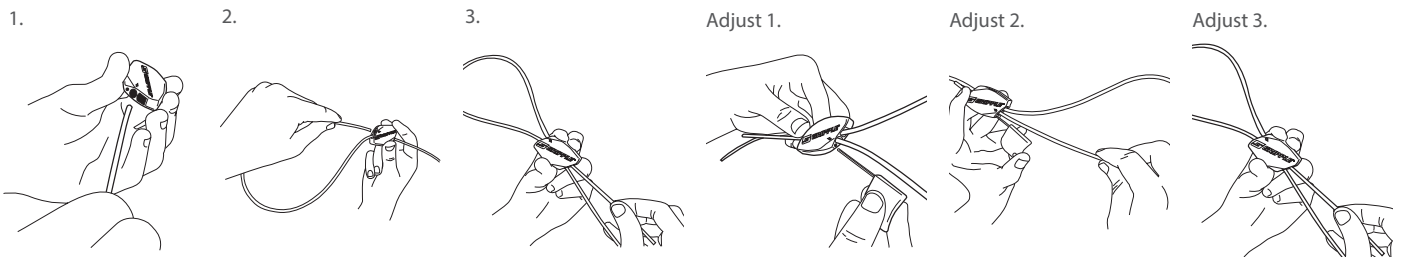
Used to suspend a variety of HVAC, mechanical and electrical services from different substrates.

## FEATURES / BENEFITS

- Ideal for fast suspension of cable containment, pipework, air conditioning
- Up to six times faster to install than traditional hanging systems
- Versatile and simple to use
- Strong, safe and industry approved
- Aesthetically discreet and lightweight
- Supplied in ready-to-use kits, comprising a length of cable, pre-crimped End Fixing, Gripple Hanger and Setting Key

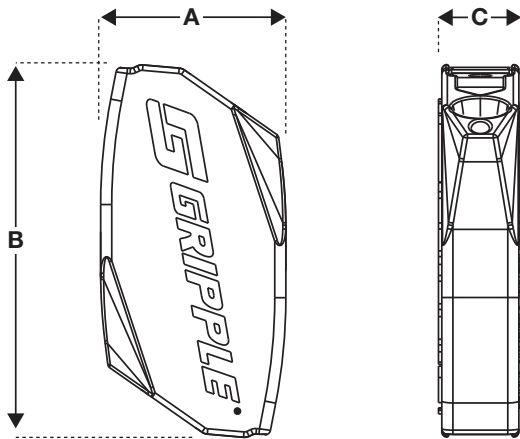


## INSTALLATION & ADJUSTMENT



Ensure a minimum 3 inches of tail cable exits the hanger.

## SPECIFICATION



Dimension	No.1 (inches)	No.2 (inches)	No.3 (inches)	No.4 (inches)	No.5 (inches)
A	0.63	0.71	1.02	1.47	1.69
B	0.94	1.34	1.69	2.44	4.17
C	0.24	0.31	0.31	0.43	0.51

## AVAILABLE END FIXINGS



For more options on available end fixings please contact us or visit [www.gripple.com](http://www.gripple.com)

## SUBMITTAL INFORMATION

### Safe Working Load:

- No.1 - 22 lbs
- No.2 - 100 lbs
- No.3 - 200 lbs
- No.4 - 500 lbs
- No.5 - 715 lbs

All with a 5:1 safety factor

### Material:

- Housing - Type ZA2 Zinc
- Wedge - Sintered steel hardened to min. 56 Rockwell C
- Spring - Stainless Steel (Type 302)
- End Cap - UV stabilized homopolymer propylene

NOT suitable for use in chlorinated / swimming pool environments.

PI-STDHANGER-US

[www.gripple.com](http://www.gripple.com)

Gripple's policy is one of continuous development and innovation. We therefore reserve the right to alter specifications, etc. without notice.



Gripple Inc | 1611 Emily Lane | Aurora, IL 60502 | USA

Tel +1 866 474 7753 Fax +1 800 654 0689 email [usinfo@gripple.com](mailto:usinfo@gripple.com)