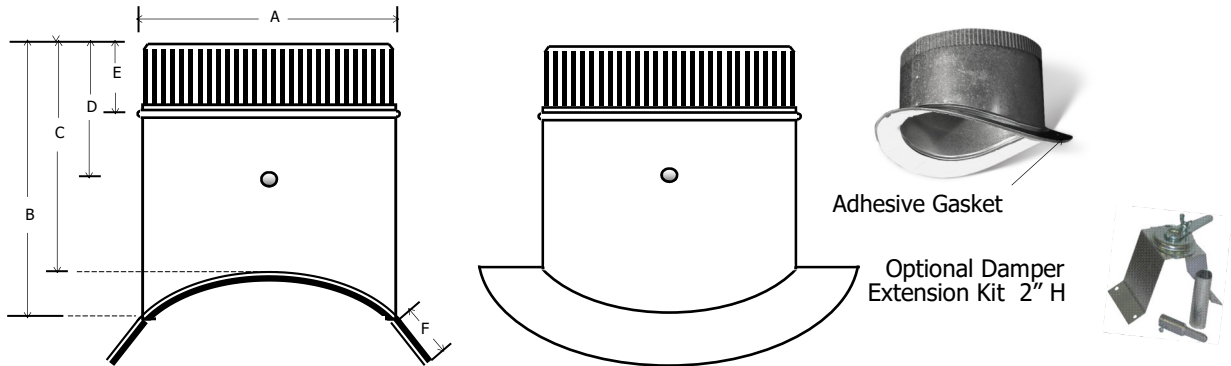


## ROUND SADDLE ADHESIVE TAKEOFF

— TA09, TA09D, TA09DE, TA09CE, TA09S, TA09DS



A	B	C	D	E	F	GA	Fits Diam pipe
4	Various	Various	3.75	1.75	1" or 1.5"	28, 26	4,5,6
5	Various	Various	3.75	1.75	1" or 1.5"	28, 26	5,6,7,8
6	Various	Various	3.75	1.75	1" or 1.5"	28, 26	6,7,8,9,10
7	Various	Various	3.75	1.75	1" or 1.5"	28, 26	7,8,9,10
8	Various	Various	3.75	1.75	1" or 1.5"	28, 26	8,9,10,12
9	Various	Various	3.75	1.75	1" or 1.5"	26	9,10,12
10	Various	Various	3.75	1.75	1" or 1.5"	26	10,12,14
12	Various	Various	3.75	1.75	1" or 1.5"	26	12,14,16
14	Various	Various	3.75	1.75	1" or 1.5"	26	14,16,18
16	Various	Various	3.75	1.75	1" or 1.5"	26	16,18,20
18	Various	Various	3.75	1.75	1" or 1.5"	26	18,20,22
20	Various	Various	3.75	1.75	1" or 1.5"	26	20,22,24,26
22	Various	Various	3.75	1.75	1" or 1.5"	26	22,24,26,28
24	Various	Various	3.75	1.75	1" or 1.5"	26	24,26,28,30

Galvanized Steel, ASTM-A653, G30/40 Standard, G90 available in select sizes  
 Adhesive gasket for tight seal and easy installation

### PART NUMBER DESIGNATIONS

**TA09XX , TA09DXX, TA09DEXX, TA09CEXX, TA09SXX, TA09DSXX**

- Where:** XX = Diameter (04-24)  
 D = Damper (Single and dual hardware available)  
 DE = Regular Damper Extension 2" H  
 CE = Commercial Damper Extension (3/8" rod w/locking regulator)  
 S = Scoop, DS = Damper and Scoop
- Options:** Standard 28/26GA; 24GA available  
 Fully enclosed damper heights (C Dimension) available.

PROJECT: _____	COMPANY: _____	DATE : _____
LOCATION: _____	SUBMITTED BY: _____	