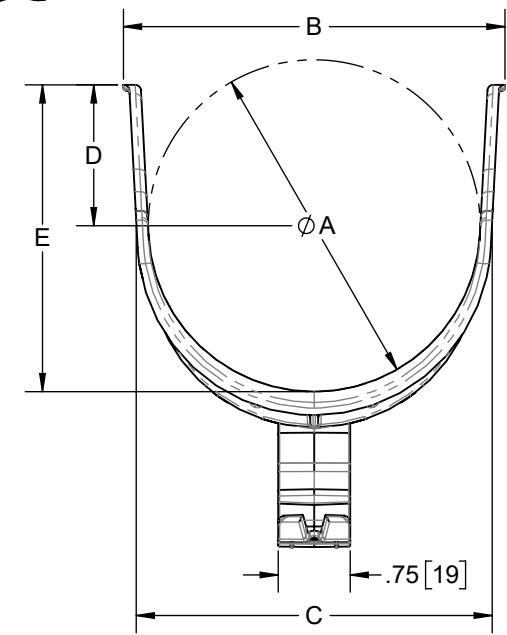
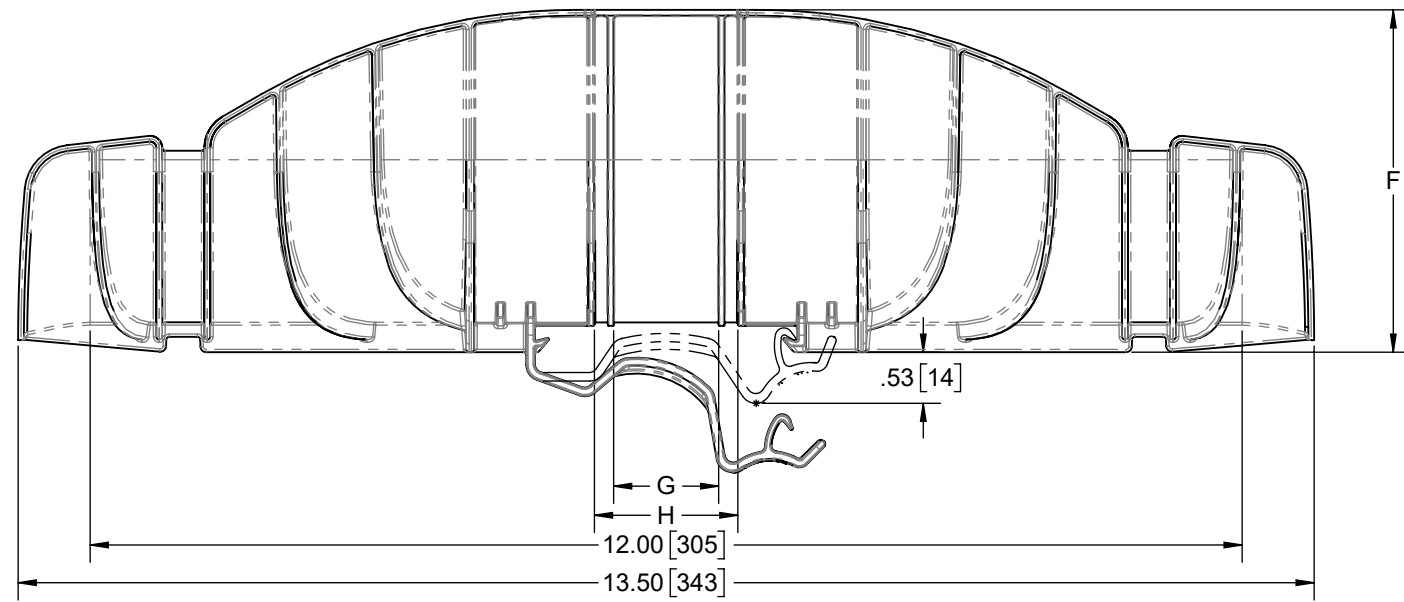
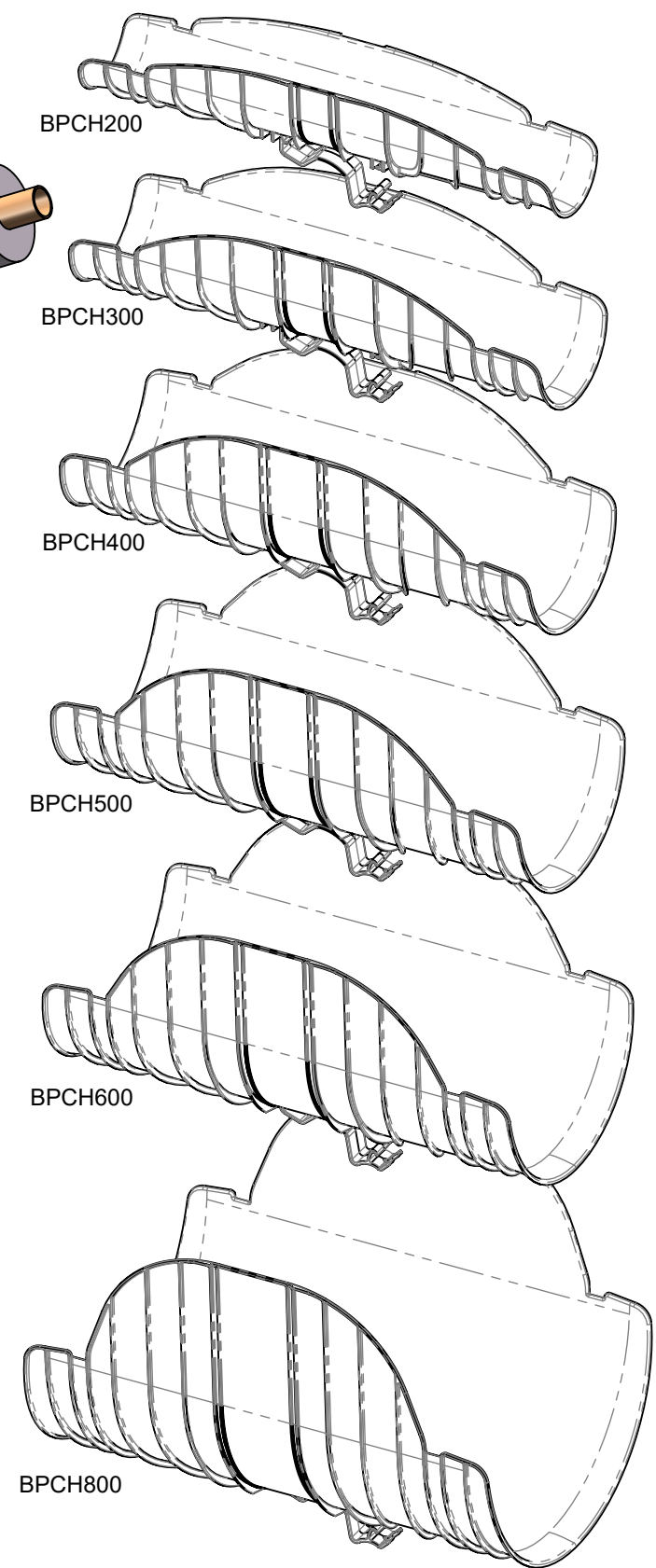
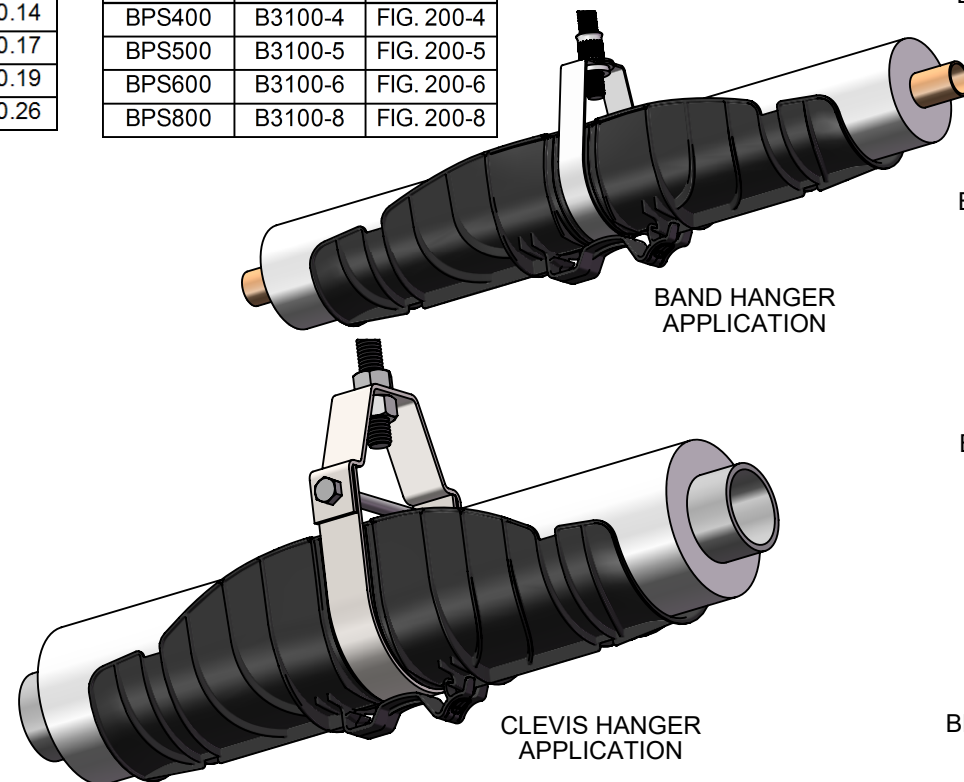


PART NUMBER	ØA		B		C		D		E		F		G		H		WT/PC	
	IN.	MM	IN.	MM	IN.	MM	IN.	MM	IN.	MM	IN.	MM	IN.	MM	IN.	MM	LB	KG
BPS200	2.35	60	2.69	68	2.59	66	1.00	25	2.17	55	2.54	65	0.84	21	1.25	32	0.18	0.08
BPS300	3.46	88	3.86	98	3.71	94	1.47	37	3.20	81	3.57	91	1.09	28	1.50	38	0.24	0.11
BPS400	4.50	114	4.95	126	4.75	121	1.94	49	4.19	106	4.56	116	1.38	35	1.77	45	0.30	0.14
BPS500	5.52	140	6.02	153	5.78	147	2.41	61	5.17	131	5.54	141	1.38	35	1.77	45	0.37	0.17
BPS600	6.50	165	7.05	179	6.76	172	2.89	73	6.14	156	6.51	165	1.69	43	2.08	53	0.43	0.19
BPS800	8.64	220	9.32	237	8.90	226	4.02	102	8.34	212	8.71	221	1.94	49	2.28	58	0.57	0.26

PART NUMBER	CLEVIS HANGER	BAND HANGER
BPS200	B3100-2	FIG. 200-2
BPS300	B3100-3	FIG. 200-3
BPS400	B3100-4	FIG. 200-4
BPS500	B3100-5	FIG. 200-5
BPS600	B3100-6	FIG. 200-6
BPS800	B3100-8	FIG. 200-8

COPPER TUBING SIZE	INSULATION THICKNESS				
	1/2"	3/4"	1"	1 1/2"	2"
1/4"	BPS200	BPS200	BPS300	BPS300	BPS400
3/8"	BPS200	BPS200	BPS300	BPS400	BPS400
1/2"	BPS200	BPS200	BPS300	BPS400	BPS500
5/8"	BPS200	BPS200	BPS300	BPS400	BPS500
3/4"	BPS200	BPS300	BPS300	BPS400	BPS500
1"	BPS200	BPS300	BPS300	BPS400	BPS500
1 1/4"	BPS300	BPS300	BPS300	BPS400	BPS500
1 1/2"	BPS300	BPS300	BPS400	BPS500	BPS600
2"	BPS300	BPS400	BPS400	BPS500	BPS600
2 1/2"	BPS400	BPS400	BPS500	BPS600	BPS800
3"	BPS400	BPS500	BPS500	BPS600	BPS800
3 1/2"	BPS500	BPS500	BPS600	BPS800	BPS800
4"	BPS500	BPS600	BPS600	BPS800	BPS800
5"	BPS600	BPS800	BPS800	BPS800	—
6"	BPS800	BPS800	BPS800	—	—

SCHED. 40/80 PIPE	INSULATION THICKNESS				
	1/2"	3/4"	1"	1 1/2"	2"
1/4"	BPS200	BPS200	BPS300	BPS400	BPS500
3/8"	BPS200	BPS200	BPS300	BPS400	BPS500
1/2"	BPS200	BPS200	BPS300	BPS400	BPS500
3/4"	BPS200	BPS300	BPS300	BPS400	BPS500
1"	BPS200	BPS300	BPS300	BPS400	BPS500
1 1/4"	BPS300	BPS300	BPS400	BPS500	BPS600
1 1/2"	BPS300	BPS300	BPS400	BPS500	BPS600
2"	BPS300	BPS400	BPS400	BPS500	BPS600
2 1/2"	BPS400	BPS400	BPS500	BPS600	BPS800
3"	BPS400	BPS500	BPS500	BPS600	BPS800
3 1/2"	BPS500	BPS500	BPS600	BPS800	BPS800
4"	BPS500	BPS600	BPS600	BPS800	BPS800
5"	BPS800	BPS800	BPS800	BPS800	—
6"	BPS800	BPS800	BPS800	—	—




DIMENSIONS IN BRACKETS [] ARE MILLIMETERS

PATENT(S) PENDING

- USE TO SUPPORT AND PROTECT HORIZONTAL RUNS OF INSULATED PIPE OR TUBING HUNG WITH CLEVIS HANGERS OR BAND HANGERS (HANGERS NOT INCLUDED).
- SNAP LATCH HOLDS PIPE INSULATION SHIELD DIRECTLY ON CLEVIS HANGERS OR BAND HANGERS WITHOUT TOOLS.
- NON-ADHESIVE TEXTURED INTERIOR SURFACE ALLOWS PIPE, TUBING AND INSULATION TO EXPAND OR CONTRACT WITHOUT DAMAGE TO INSULATION.
- FULL 12" INSULATION SUPPORT.
- MATERIAL: HIGH-IMPACT POLYPROPYLENE COPOLYMER
- UV RESISTANT
- OPERATING TEMPERATURE: -40°F (-40°C) TO +178°F (81°C)
- PAINTABLE
- AVAILABLE IN BLACK OR WHITE.
- ADD COLOR SUFFIX TO PART NUMBER (B=BLACK, W=WHITE)
- EXAMPLE: BPCH200B
- BPCH400W
- cULus CLASSIFIED FOR USA (UL723/ASTM E84) AND CANADA (CAN/ULC-S102.2)



 Powering Business Worldwide®		SUBMITTAL DRAWING		REFERENCE DWG(S):	
509 W. Monroe Street Highland, IL 62249 Phone (618) 654-2184 FAX (618) 654-5499 www.b-line.com		SNAP 'N SHIELD™ BPCH SERIES PIPE INSULATION SHIELDS FOR CLEVIS/BAND HANGER		SUBMITTAL NO: S00035716	
				DRAWN BY: MLW	REV: A
				DATE: 07/18/18	
				MODEL SOURCE FILE: S00035710	REV: 00
				SHEET: 1 OF 1	